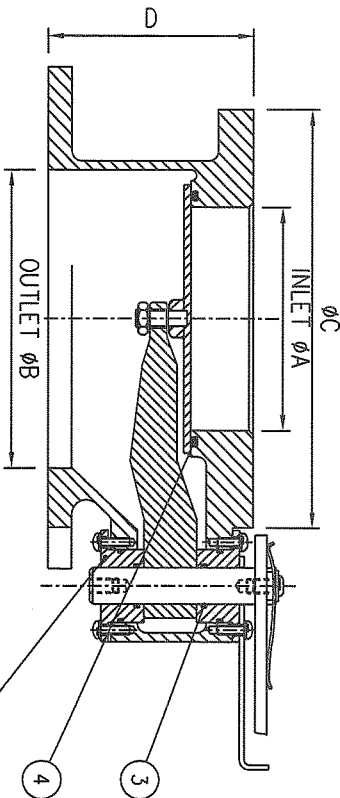


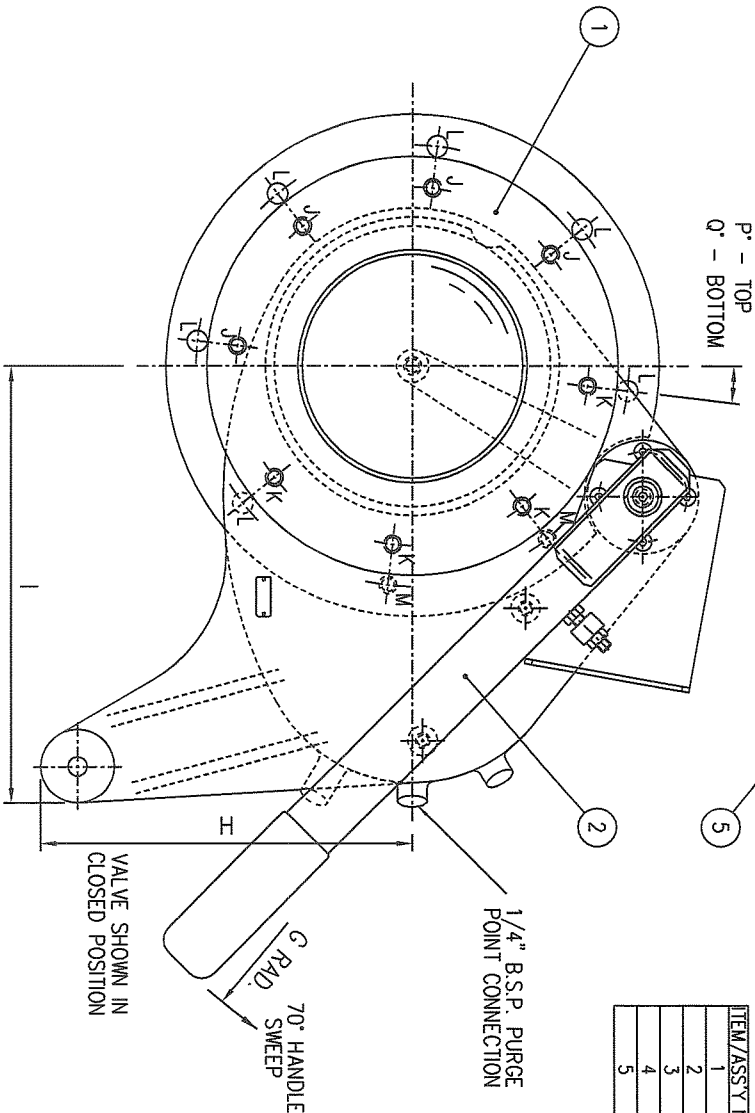
DO NOT SCALE DRAWING - IF IN DOUBT ASK

DIMENSIONS

SIZE ØA ØB ØC D	ØE I	ØF J	ØG K	ØH L	J-HOLES			K-HOLES			L-HOLES			M-HOLES												
					THD	PCD	DEPTH	QTY	THD	PCD	DEPTH	QTY	DIA.	PCD	DEPTH	QTY	THD	PCD	DEPTH	QTY						
150	150	200	280	140	161	336	445	253	295	4	M12	240	4	M12	240	24	6	14	295	THRD	2	M12	295	24	6.5	6.5
200	200	250	335	160	183	400	445	239	325	4	M12	295	THRD	4	M12	295	20	9	350	THRD	3	M12	350	20	10.5	18
300	300	400	480	235	282	595	620	382	515	12	M16	400	30	N/A	N/A	N/A	11	18	515	THRD	4	M16	515	30	18	10.5

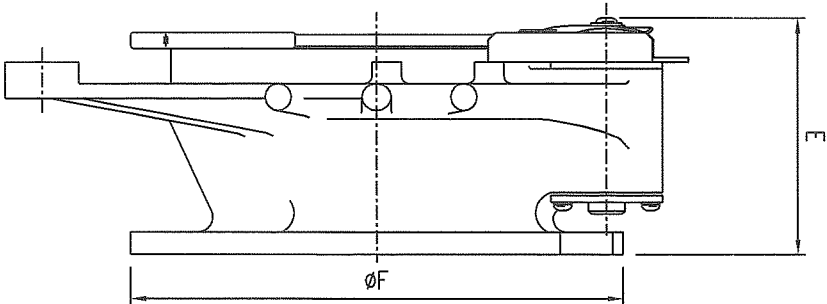


P - TOP
Q - BOTTOM



PARTS LIST

ITEM/ASSY No.	DESCRIPTION	QTY
1	BARE SHAFT ASSY	1
2	HAND LEVER ASSY	1
3	BRG SEALS ASSY	1
4	FACE SEAL	1
5	BRG CAP ASSY	2



1/4" B.S.P. PURGE
POINT CONNECTION
70° HANDLE
G RAD SWEEP
VALVE SHOWN IN
CLOSED POSITION

Kemutec Powder Technologies

Kemutec Powder Technologies Ltd
Springwood Way, Decaturfield
Oxley QLD 4009
Tel: +61(0)7552 41200
Fax: +61(0)7552 41200
Email: sales@kemutec.com
Web: www.kemutec.com

DRAWN BY *M.B.*
CHECKED BY
APPROVED BY

TITLE
DISC VALVE
150, 200, 300 DIA. HAND OP

SCALE 1:2.5

DRAWING No 22000303

ISSUE A

DATE 15/12/97

DRAWING SPECIFICATIONS

UNLESS OTHERWISE STATED
Screw threads to BS4843
ISO Metric Coarse Pitch Series (unless fit)
Welding Symbols to BS499 Part 2
Dimension & Geometrical Tolerances to BS4300
Finish & Fit to BS4500
Remove all sharp edges and burrs

TOLERANCE SPECIFICATIONS

UNLESS OTHERWISE STATED
SHEET METAL DIMENSIONS
0 to 500 ± 0.20
Over 500 ± 0.30
ANGULAR DIMENSIONS
± 0.5°
MACHINED DIMENSIONS
0 to 100 ± 0.10
Over 100 ± 0.15

ALL DIMENSIONS IN MILLIMETRES

THIRD ANGLE PROJECTION
For all material, weld and finish specifications order to purchaser/work unless stated otherwise

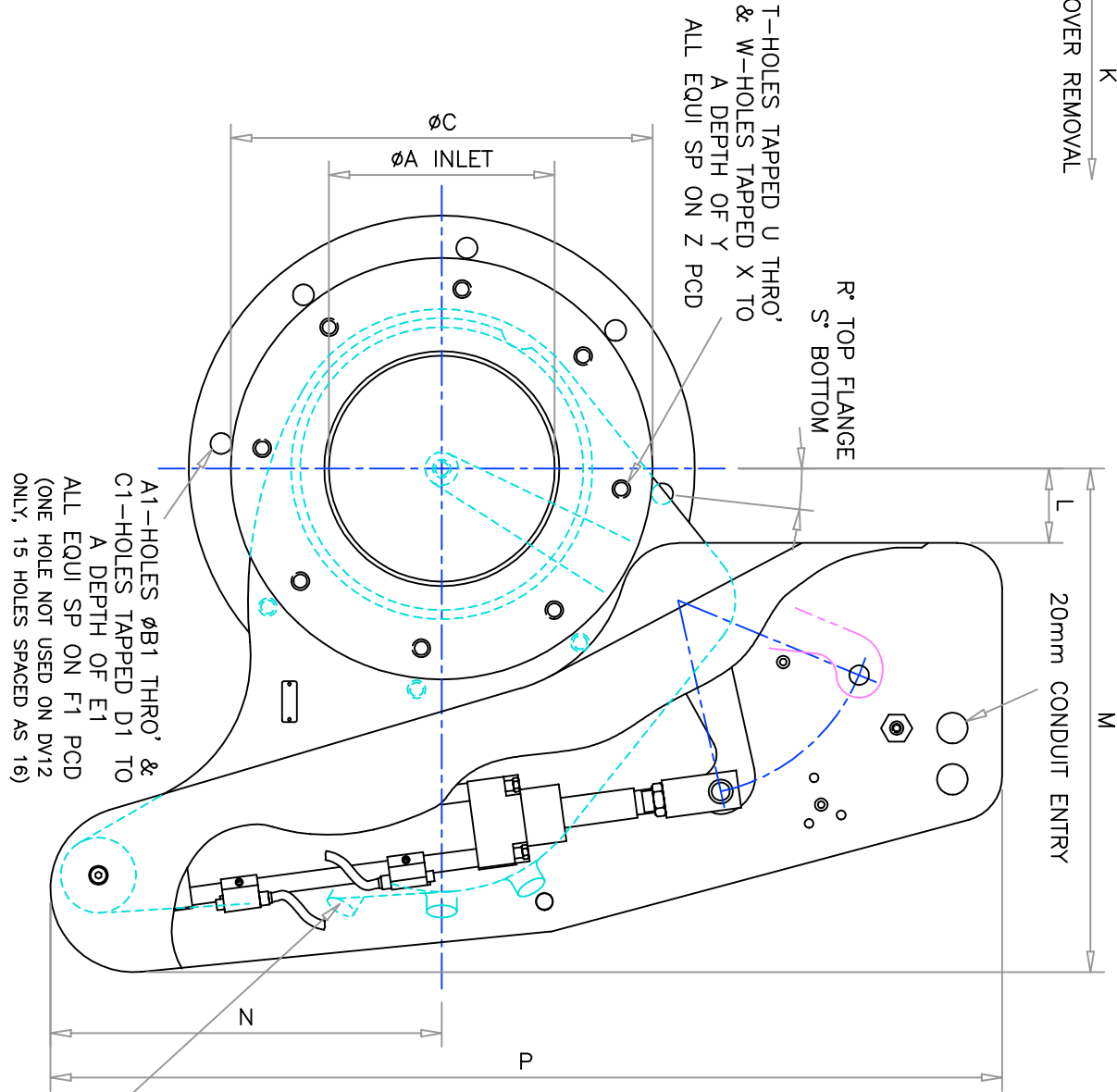
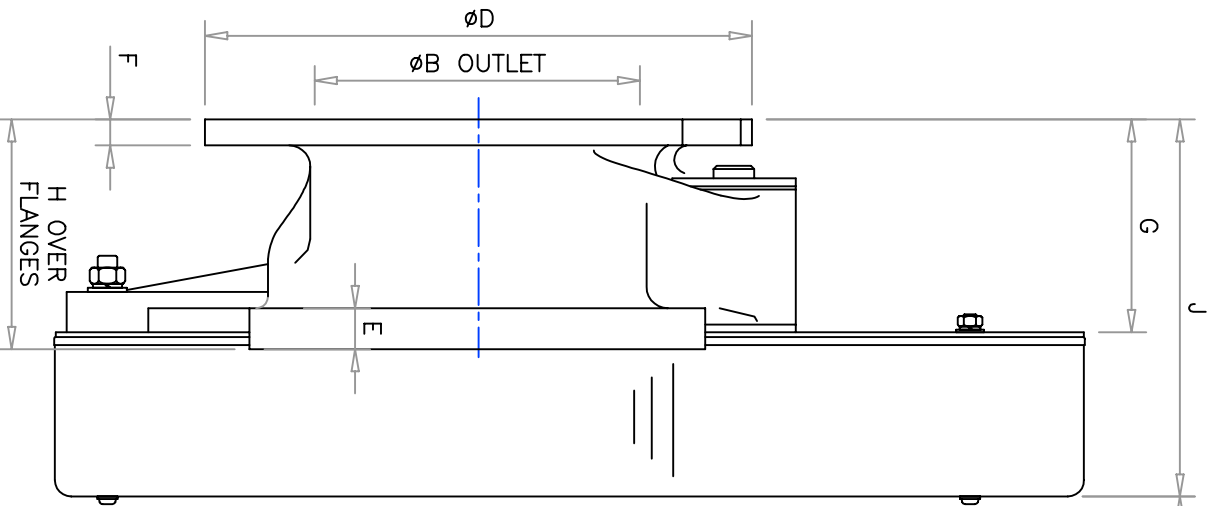
THIS DRAWING IS THE PROPERTY OF KEMUTEC POWDER TECHNOLOGIES LTD AND MUST NOT BE COPIED OR SHOWN TO A THIRD PARTY WITHOUT THE WRITTEN CONSENT OF THIS COMPANY.



Muccon
The Power to Control Powders

Valve Type	Norm Bore	All dimensions in mm / Weights given in kgs																									
		A	B	C	D	E	F	G	H	J	K	L	M	N	P	R	S	T	U	W	X	Y	Z	A1	B1	C1	D1
DV6	150	150	200	280	336	24	16	130	140	250	95	50	335	260	632	6.5°	6.5°	4	M12	4	M12	20	240	6	14	2	M12
DV8	200	200	250	335	400	23	19	153	160	280	105	73	395	260	680	10.5°	18°	4	M12	4	M12	20	295	9	14	3	M12
DV10	250	250	300	410	480	25	25	193	200	335	125	78	505	325	795	12°	12°	4	M16	8	M16	20	350	8	18	4	M16
DV12	300	300	400	480	595	29	23	234	235	405	150	100	590	401	1005	18°	10.5°	N/A	N/A	12	M16	30	400	11	18	4	M16

Type	E1	F1	ALI	CI	316	Nett Weight
DV6	20	295	25	45	54	
DV8	20	350	30	55	66	
DV10	25	400	60	100	120	
DV12	30	515	90	160	N/A	



R* TOP FLANGE
S* BOTTOM
T-HOLES TAPPED U THRO'
& W-HOLES TAPPED X TO
A DEPTH OF Y
ALL EQUI SP ON Z PCD

A1-HOLES ØB1 THRO' &
C1-HOLES TAPPED D1 TO
A DEPTH OF E1
ALL EQUI SP ON F1 PCD
(ONE HOLE NOT USED ON DV12
ONLY, 15 HOLES SPACED AS 16)

RECOMMENDED AIR SUPPLY
5.6bar TO 7.0bar OF
COMPRESSED AIR, FILTERED
& LUBRICATED OR
NON-LUBRICATED.
DRY AIR MUST BE USED
BELOW -1°C
LIMIT SWITCHES AND
SOLENOID CONTROL
PACKAGES AVAILABLE FOR
FULLY OPEN, CLOSED AND
TRICKLE OPERATION.

AIR CONSUMPTION @ 5.6bar
DV6 ~ 60 cc/s
DV8 ~ 100 cc/s
DV10 ~ 420 cc/s
DV12 ~ 460 cc/s
(Assuming continuous operation)

1/4" BSP AIR
PURGE PORTS

1st Generation Disc Valve Pneumatic

Although every effort is made to ensure this data is current, our products are subject to ongoing development and accordingly we reserve the right to change specifications and details without prior notice. Always request a certified drawing