

Mucon Slide Valve



Open Discharge Slide Valve



Earth Point Provision – Facilitates earth continuity in applications where there is potential for static generation



Lock Off Facility – Lock the valve in the closed position utilising Lockout Hasp, Padlock or Lockout tags

Open Discharge Slide Valve Features

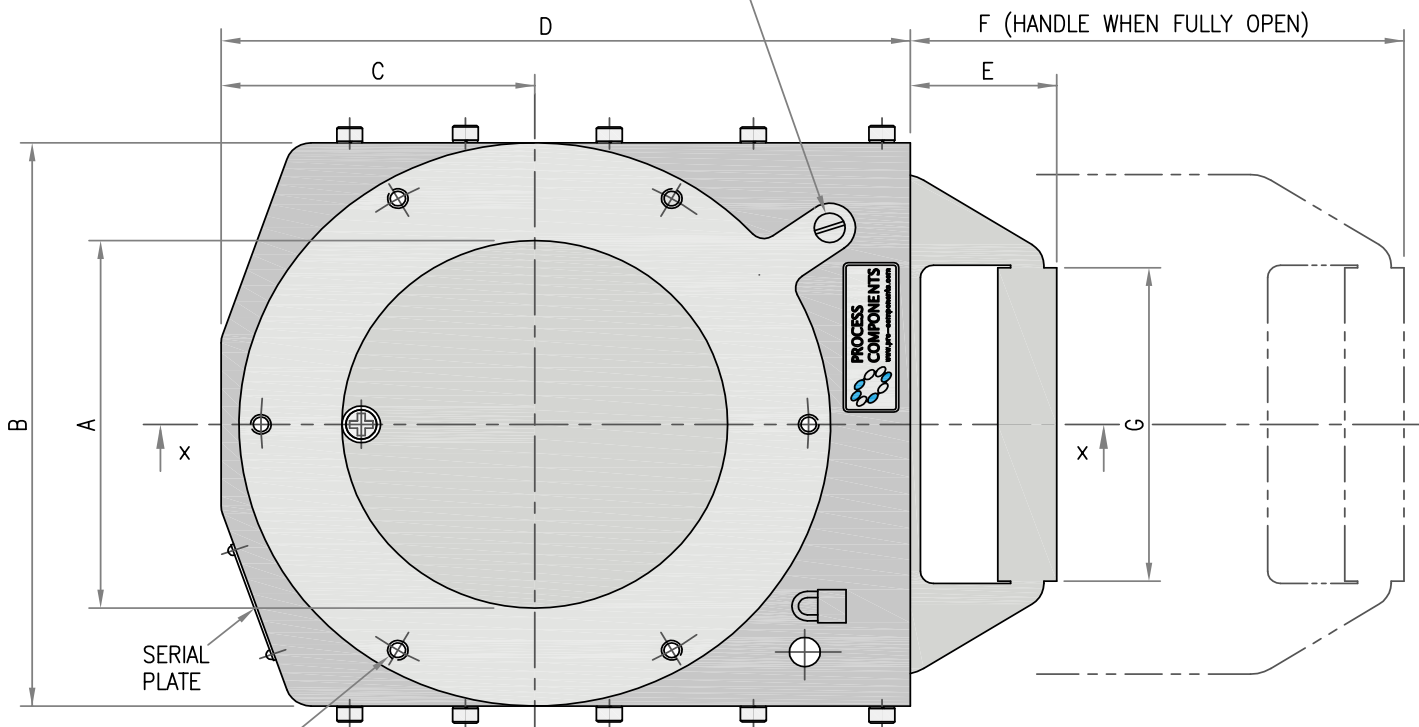
- All stainless steel slide plate, handle and fixings
- All aluminium body
- Fully interchangeable with the equivalent size Mucon 'H' Valves
- Robust Design
- Greater forces can be applied to the stainless steel stiffened handle than with conventional plastic handles
- Slide plate runners are designed to withstand heavy loading, the elliptical cross section provides a greater surface area than with conventional round section runners





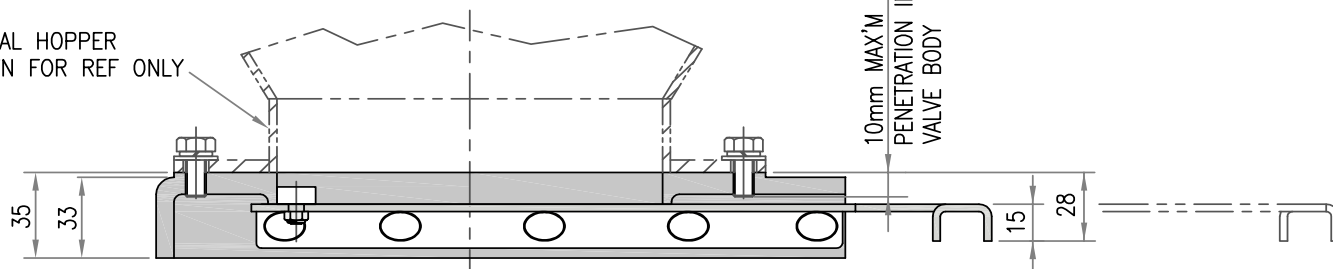
Valve Type	Nom Bore	DIMENSIONS									Nett Weight
		All dimensions in mm and weights in Kgs									
		A	B	C	D	E	F	G	H	J	
SV06	150	152	230	122	268	57	192	128	6	213	2.6
SV08	200	206	283	142	313	57	248	128	6	264	3.7
SV12	300	302	406	203	436	57	344	228	8	369	6.7

EARTH BONDING FACILITY:-
M6 SLOTTED PAN HD SCREW &
SHAKEPROOF WASHER

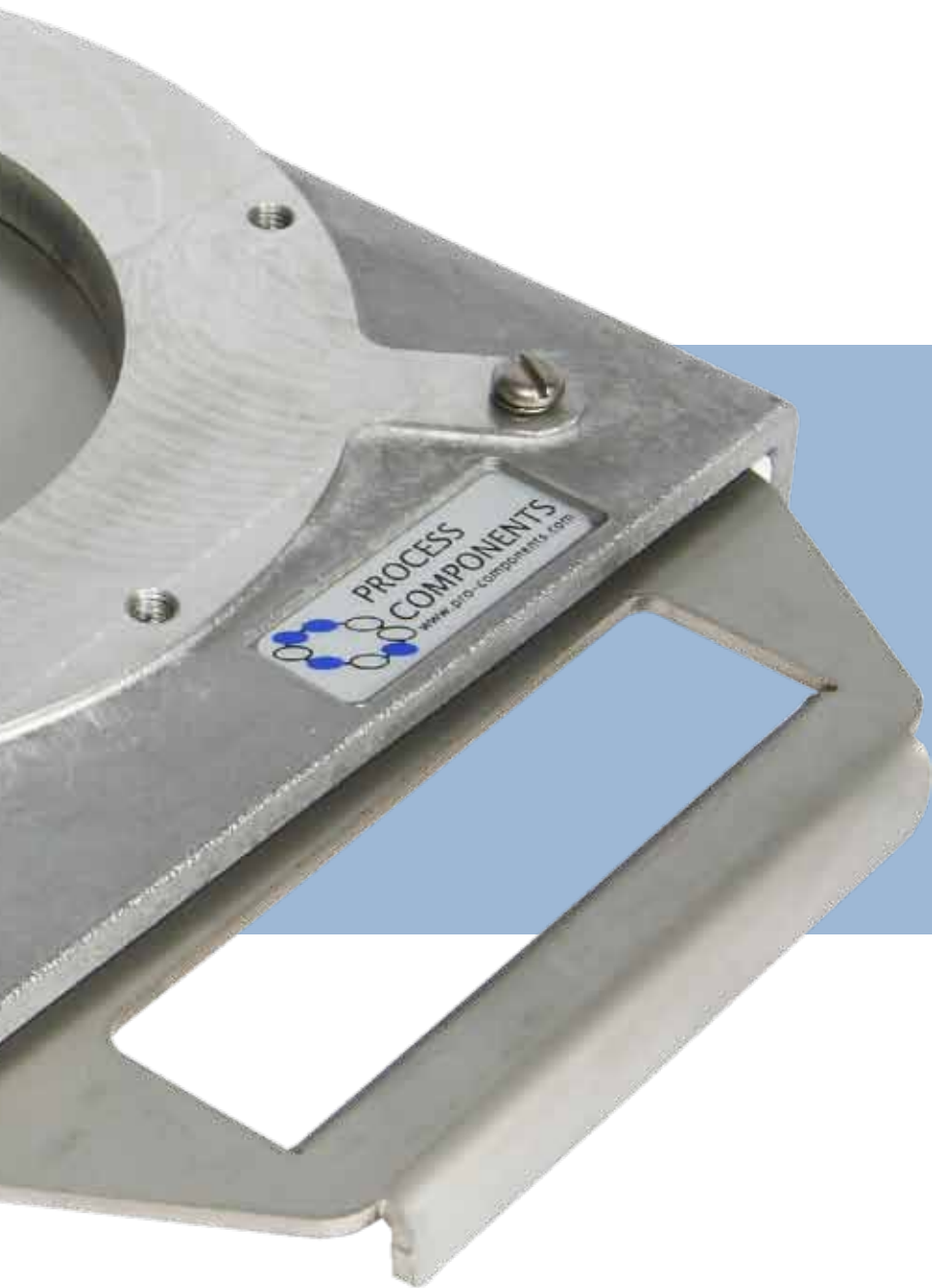


H-HOLES M8 TAPPED THRO' ON 'J' P.C.D.
(ORIENTATION AS SHOWN FOR 6 OFF HOLES
& OFF CTR FOR 8 OFF HOLES)

TYPICAL HOPPER
SHOWN FOR REF ONLY



X-X (FULLY CLOSED)



Kemutec
130 Wharton Road
Bristol
Pennsylvania
19007
USA

T: 215 788-8013
F: 215 788-5113

www.KemutecUSA.com
Sales@KemutecUSA.com