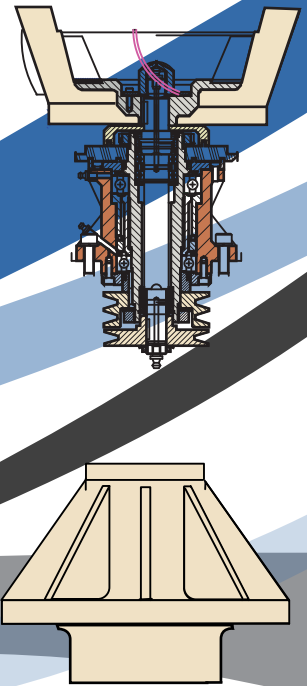
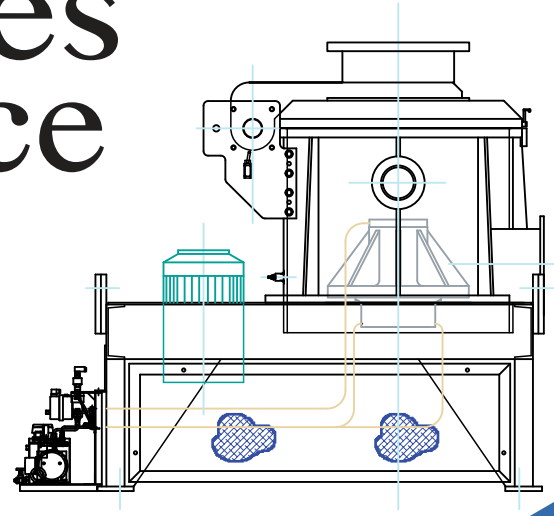


# PPS Mill Spares and Site Service

- All parts are made to original designs
- Parts available in stock from Bristol, PA warehouse
- Factory exchange reconditioned bearings
- Call-off orders available
- Group discount structure available
- New mill applications, testing and sales
- Full technical support
- On-site service support
- In-house Kek Sifters with testing



*Be confident of your PPS Air Classifier Mill Spare parts - as supplied to original designs by the original manufacturer - PPS Mills by Kemutec*

# PPS Spares

For many years PPS has been at the forefront of fine milling technology, producing Air Classifier mills and systems to all manner of industrial sectors. Often operating on a 24/7 basis these machines are in many cases "mission critical". Kemutec can provide the required spares and services to ensure you get the best possible performance and life expectancy from your PPS equipment.

## Shroud Baffle

This is a static component within the Air Classifier Mill but can often be damaged during routine maintenance or in cases where contamination has been ingested by the mill



## Pin Hammer

Grinding media pins are one of the key consumable parts of any Air Classifier Mill.

We hold stock of pins from across the mill range available for quick delivery.

Many material options are available.



## Rotor Disc

As a high speed rotating element within the Air Classifier Mills grinding media it is important to maintain this part in order to prevent catastrophic failure. The rotor is heavily stressed by the centrifugal forces imparted to it by the Pin or Bar Hammers when rotating at high speeds. Over time the rotor can become worn around the fixing points of the Hammers and need replacing.

Kemutec can provide replacement Rotors, or if required, assist in selecting a different version for use with an alternative type of Hammer.



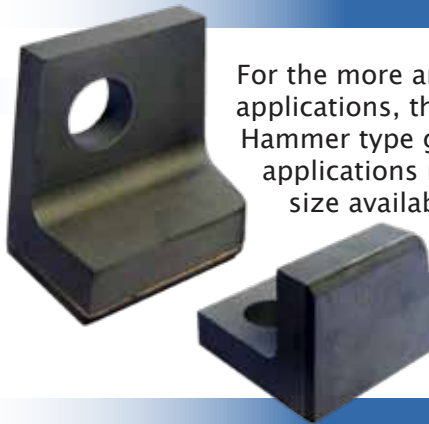
## Classifier

One of the most critical parts of the Air Classifier Mill is the Classifier itself. Its shape, length and blade configuration directly influence the particle size distribution generated by the milling process.

There are many types of Classifier across the range of PPS Air Classifier Mills. Kemutec can help you select the correct version for your application or simply provide replacements for worn out parts.

## Bar Hammer

For the more arduous Air Classifier Milling applications, the PPS mills are fitted with Bar Hammer type grinding media. This is also true of applications milling at the lower end of the micron size available from a given mill configuration.



Bar Hammers differ enormously from the more standard Mill Pins.

## Liners

Another key consumable for the Air Classifier Mills, the Liners need to be of the highest quality to ensure your mill operates at its full potential.

Kemutec can offer liners in both 'Bolted' and 'Boltless' configurations and in a number of sizes to suit your mill.



## Air Classifier Mill

Kemutec can provide a full set of replacement parts for the PPS Classifier range manufactured to the original drawings and specifications.

The range extends from the compact 1CMT through the 2/3CMT, 4/5CMT, 6/7CMT, 8CMT all the way to the giant 10CMT with its 250kW main drive.

We can assist with your requirements from something as simple as a Classifier Shim up to a full Bearing Assembly.

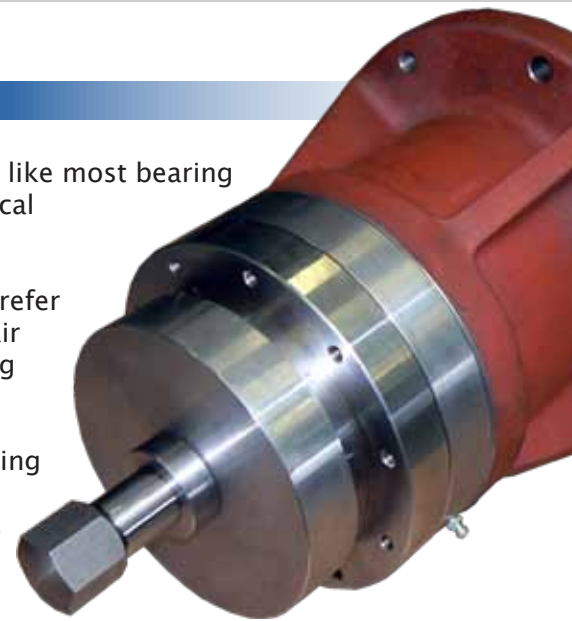


## Bearing Assembly

The standard Coaxial Bearing Assemblies used by the PPS Air Classifier Mills, like most bearing assemblies, only have a limited life. The bearing assembly is obviously a critical component and consideration should always be given to retaining a spare.

Kemutec can provide new complete bearing assemblies. However, you may prefer to take advantage of our quick and cost effective, Strip-Inspect-Report-Repair service; where we assess the repair options at no cost to you, only proceeding with any repair, on your instructions.

We have invested heavily in inspection instruments and specialist bearing fitting equipment, helping to ensure we can produce new assemblies or repair worn out ones in the shortest possible time and in the most cost effective manner.



## Service and Repair

Kemutec has one of the most competitive day rates on the market, also offering competitive rates for weekend and out of hours work to suit your needs.

Our service engineers are experienced in meeting the requirements of the food and pharmaceutical industries and will be happy to comply with all of your particular site requirements, including: Food Hygiene, Health & Safety, etc.

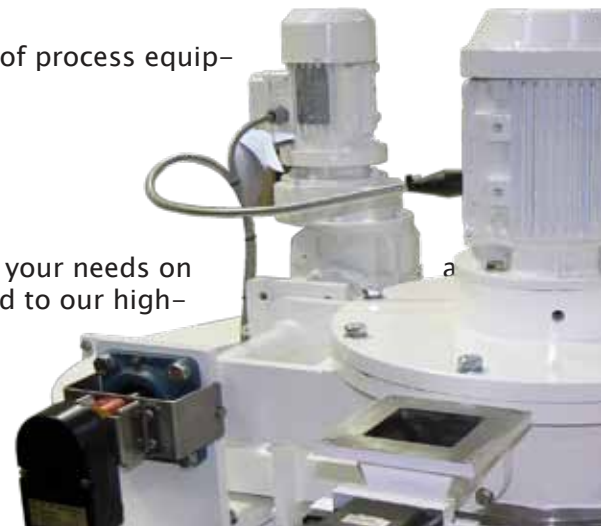
Our service knowledge stretches beyond the nuts and bolts of the machine and into the process parameters needed to fully understand your maintenance and service requirements.

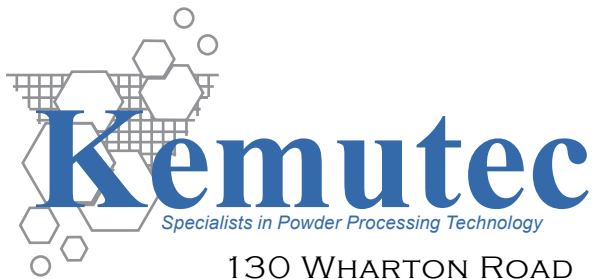
We have many years of experience in repairing and servicing many types of process equipment including:

- Universal, Hammer and Air Classifier Mills
- Mixers
- Centrifugal Sifters
- Valves

We have recommended spares lists for most equipment or we can assess your needs on case-by-case basis. Our range of PPS replacement parts are manufactured to our high-standards and to the original specifications.

We carry extensive records of all PPS machines supplied, as well as information on previous spares requirements.





130 WHARTON ROAD  
BRISTOL, PA 19007  
TEL: 215 788 8013  
FAX: 215 788 5113  
WWW.KEMUTECUSA.COM  
SALES@KEMUTECUSA.COM

## Testing

Kemutec offers full product testing at our Kemutec Technology Center just outside of Philadelphia, PA.

We offer:

- PPS Air Classifier Mill Testing
- Kek Centrifugal Sifter Testing
- GKM Flat-deck Screener Testing
- Kek Mill Testing

The above testing is supported by a full analytical lab, which includes laser diffraction particle size analysis.

## Kemutec Also Supplies

- Kek Centrifugal Sifters
- GKM Tumbler Screeners
- Kek Universal Mills
- Kek Conemills
- Kek Kibbler Lump Breakers
- PPS Air Classifier Mills
- Celsius Screw Heat Exchangers
- Gardner Mixers and Blenders
- Mucon Valves and Discharge Aids

